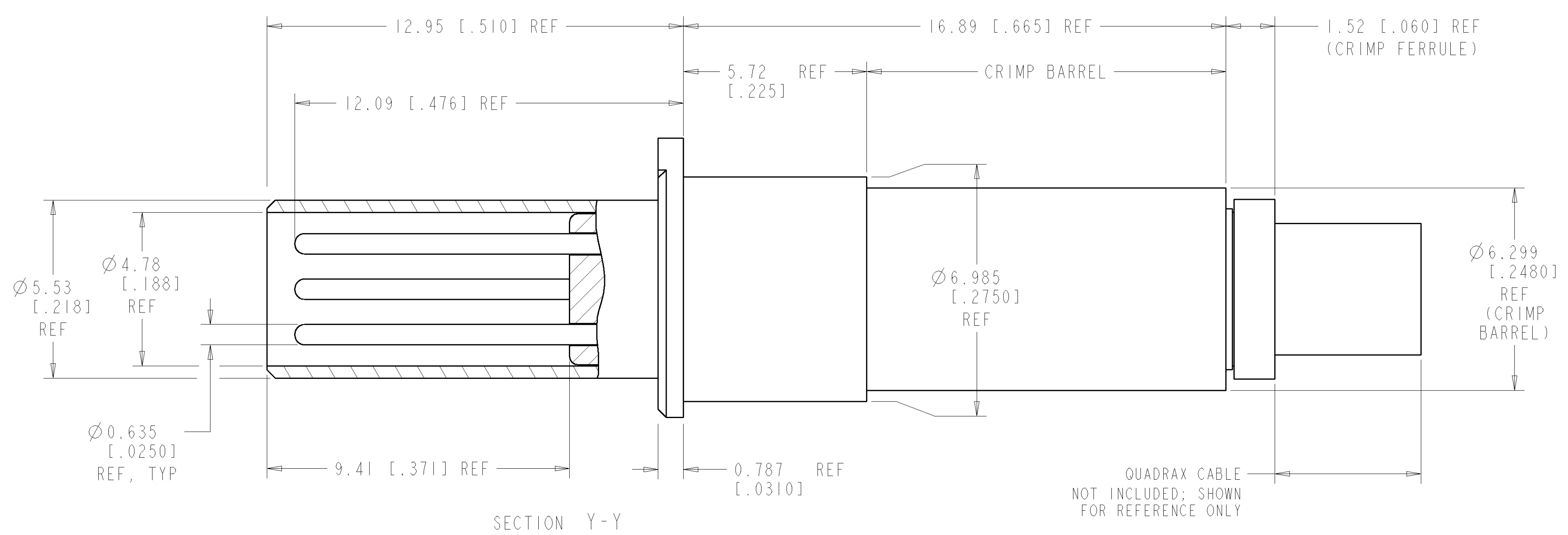
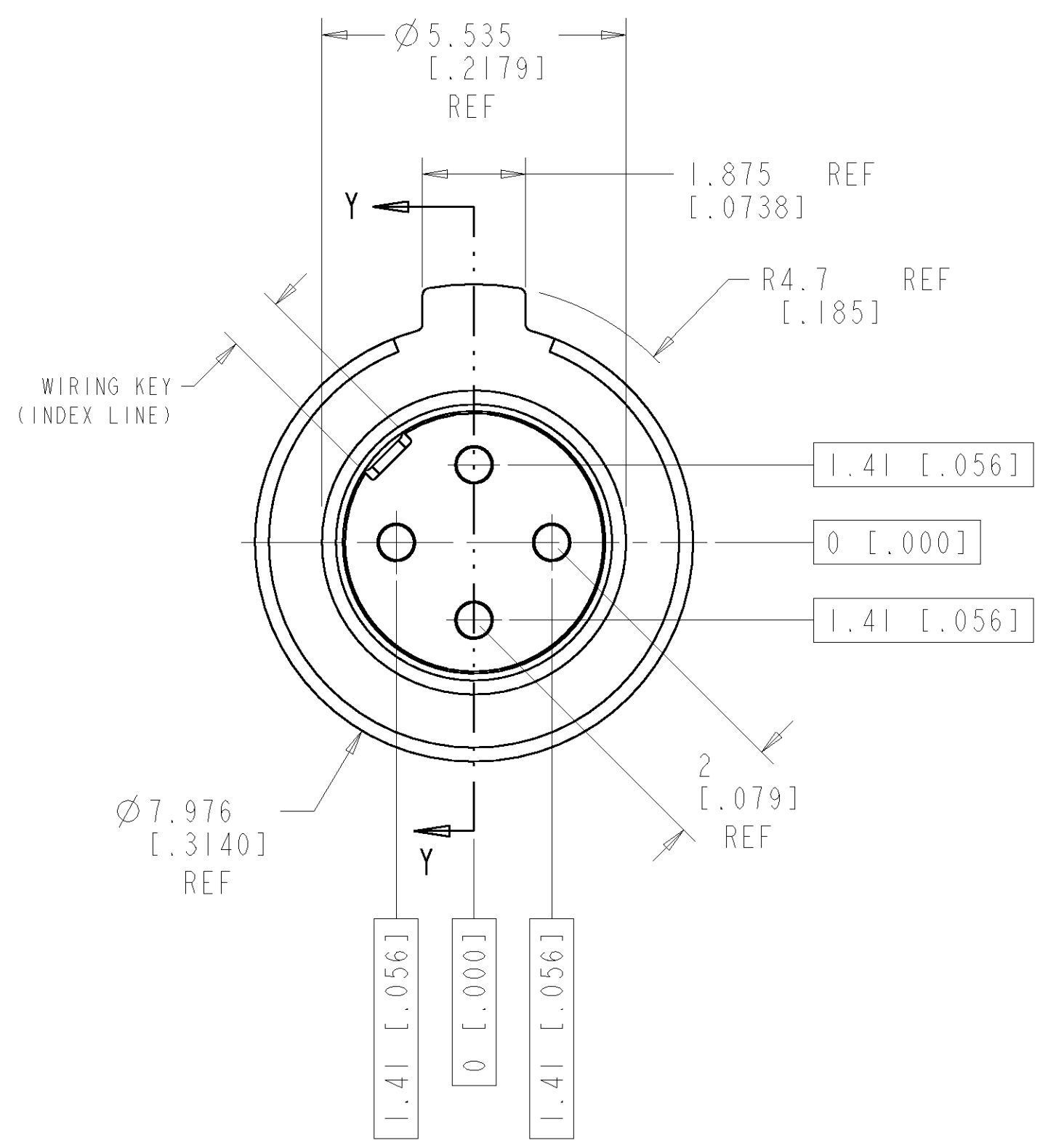
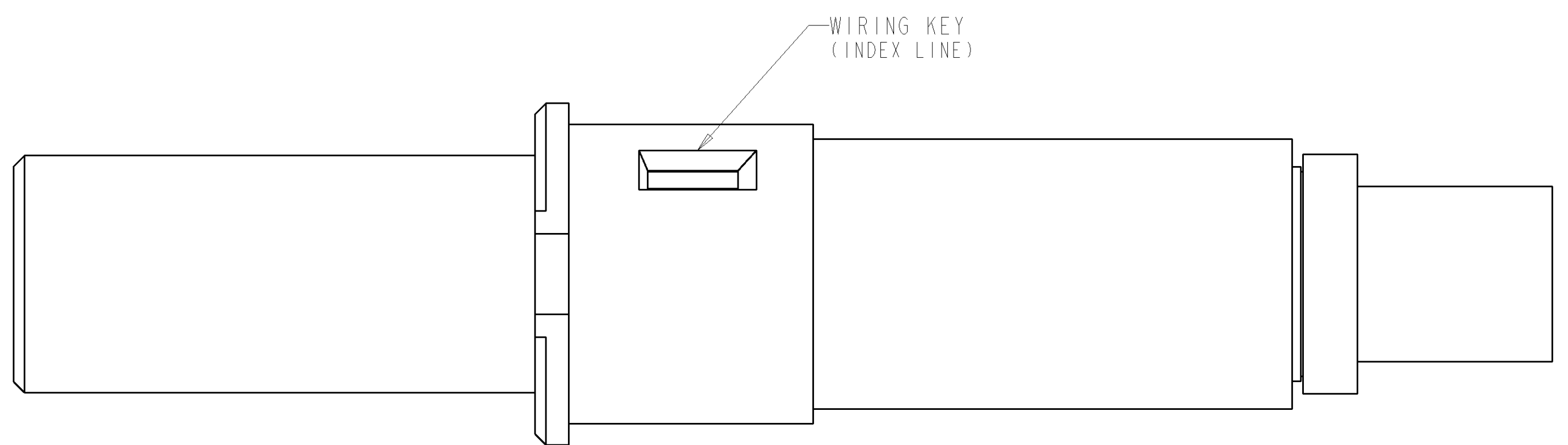
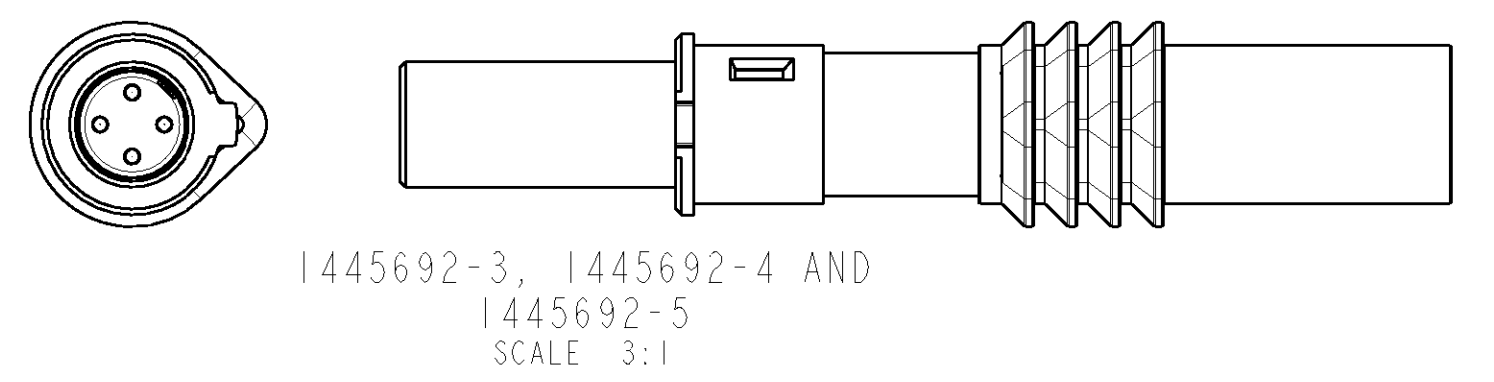
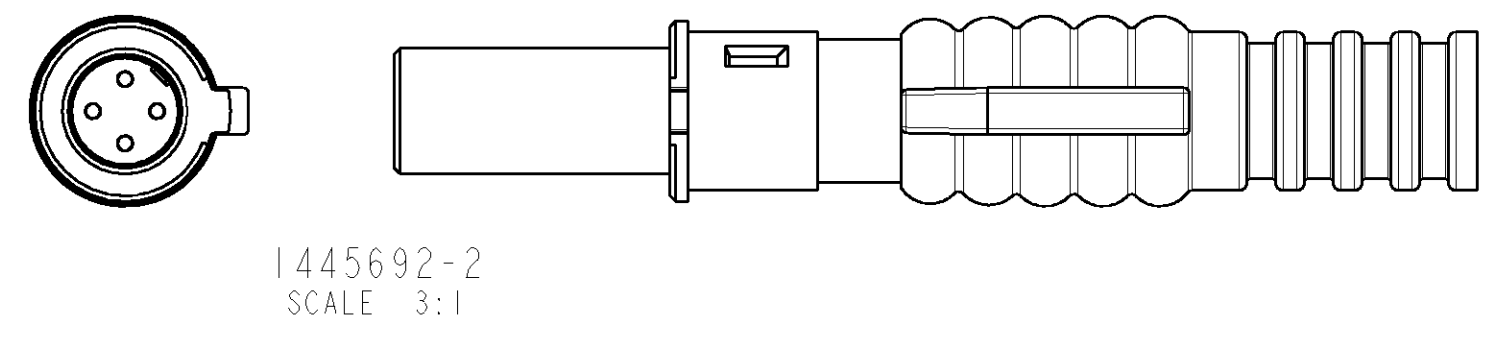


CONTACT CAVITY NUMBERING
 STANDARD CAVITY NUMBER ASSIGNMENT



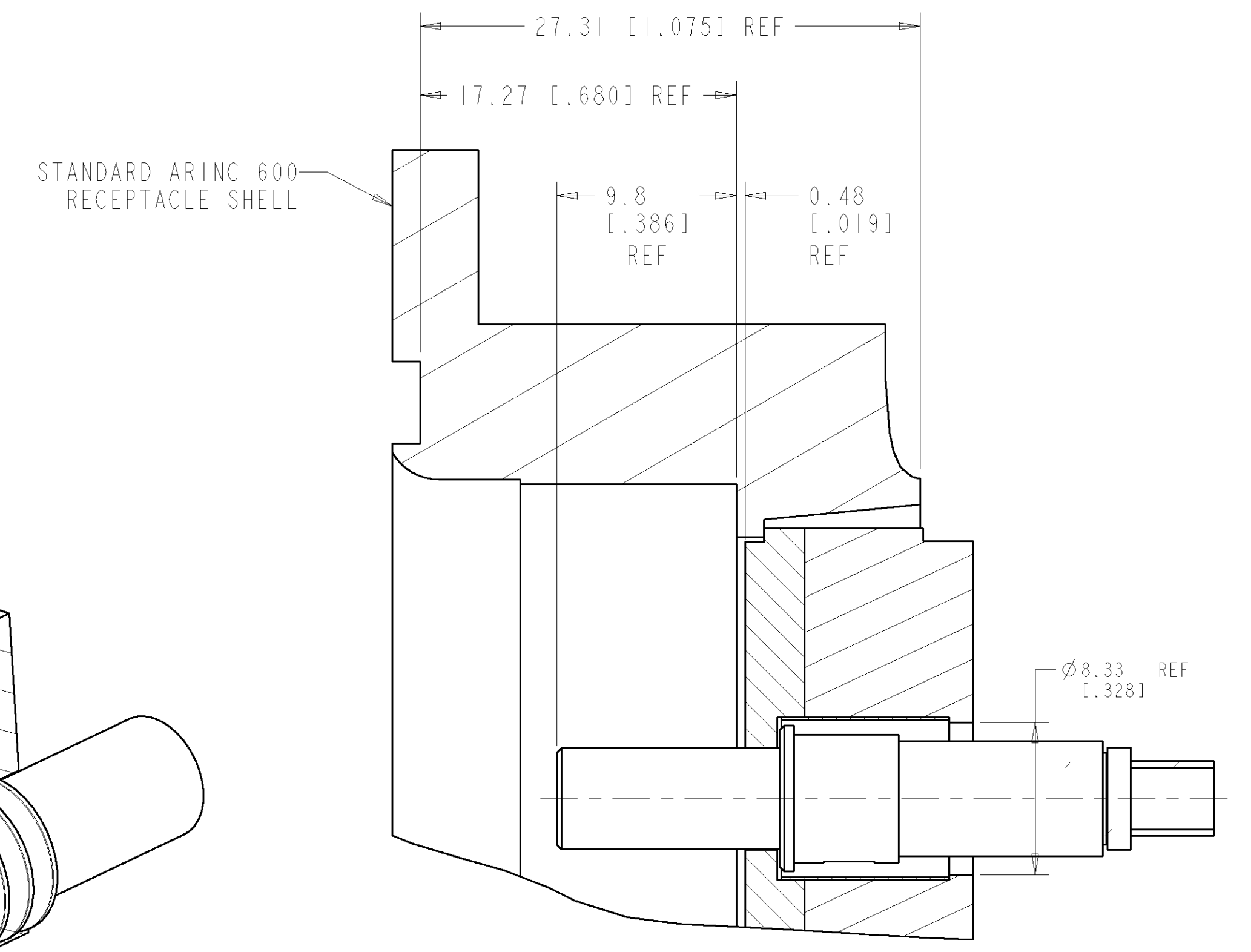
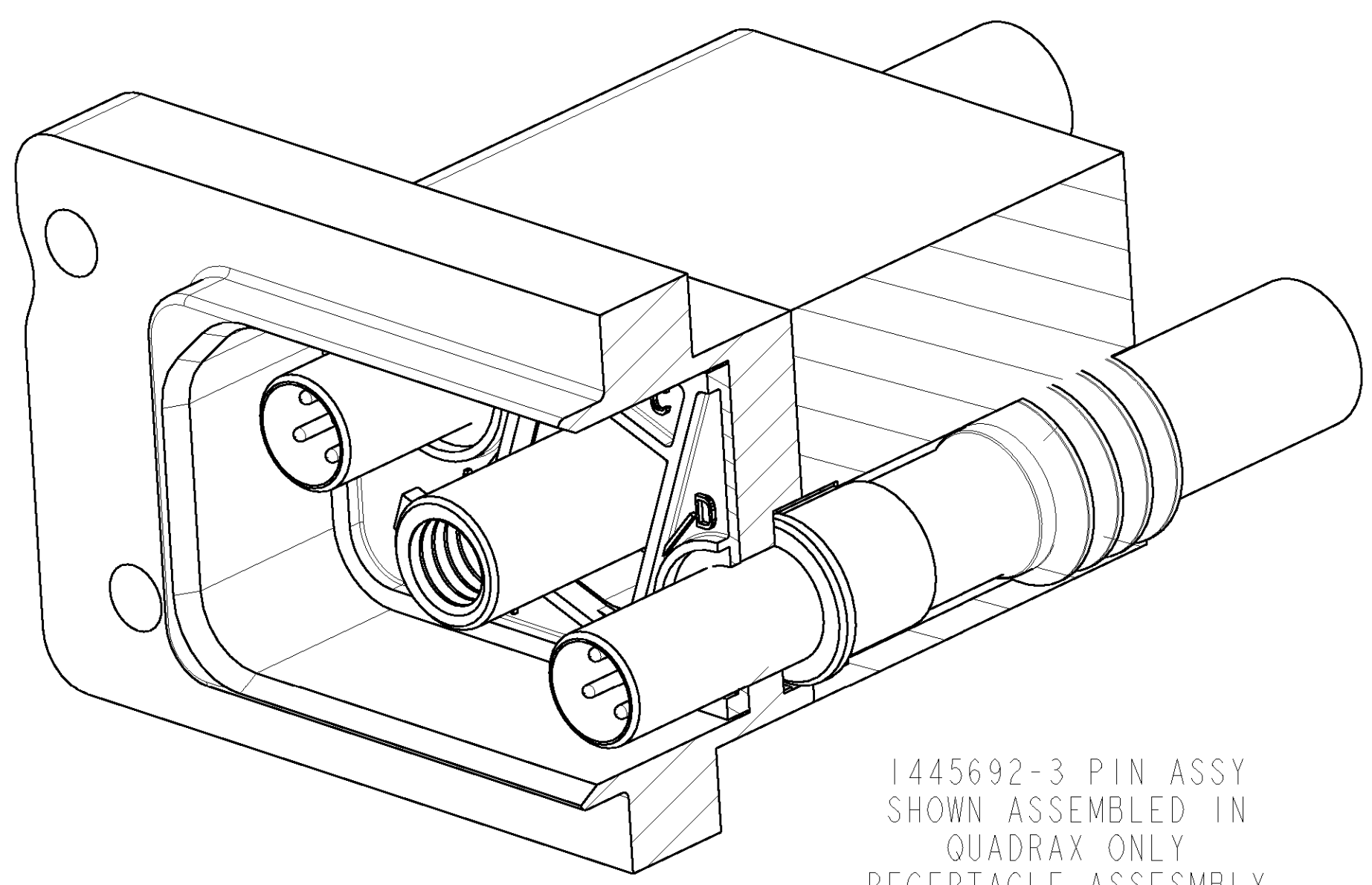
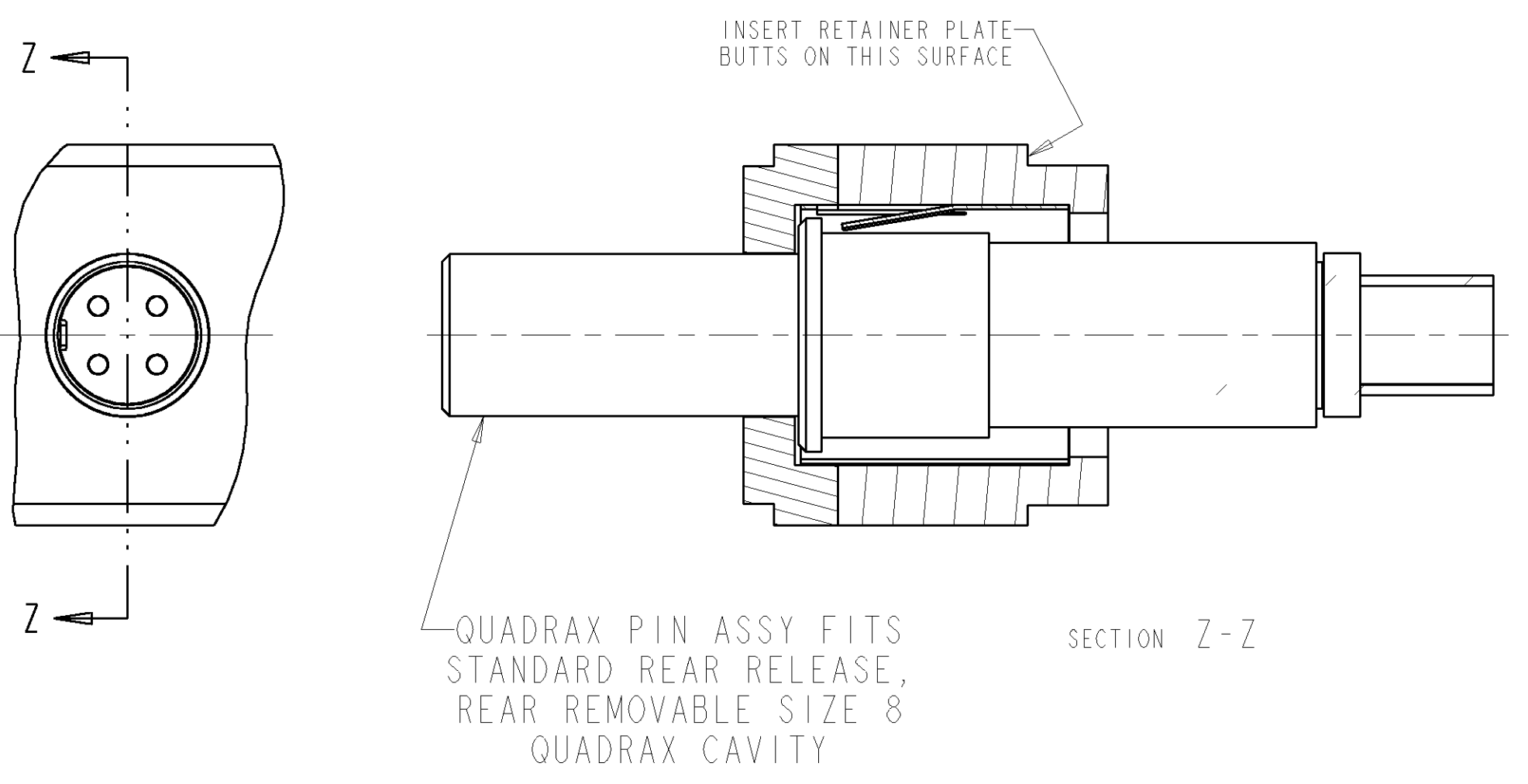
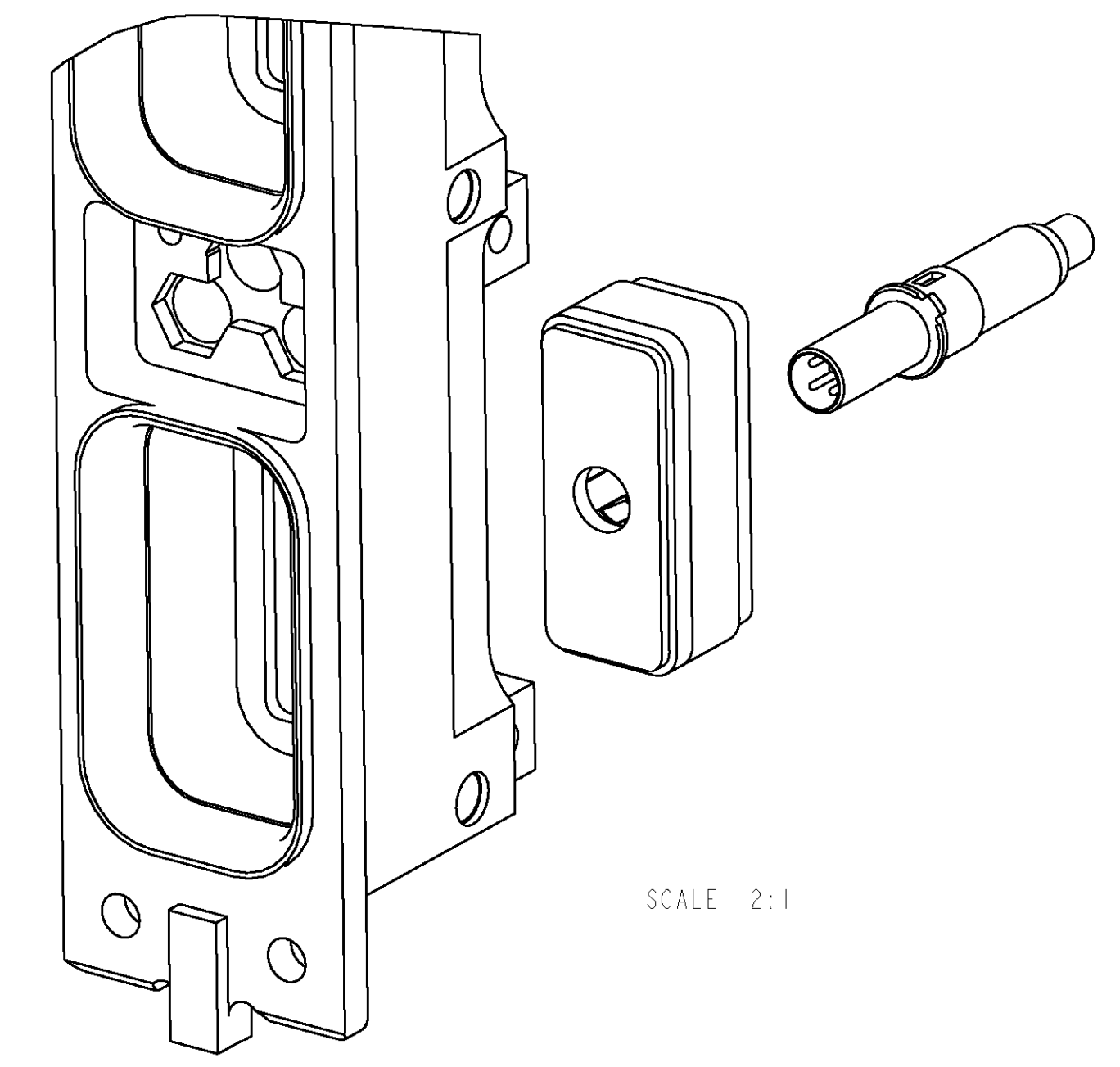
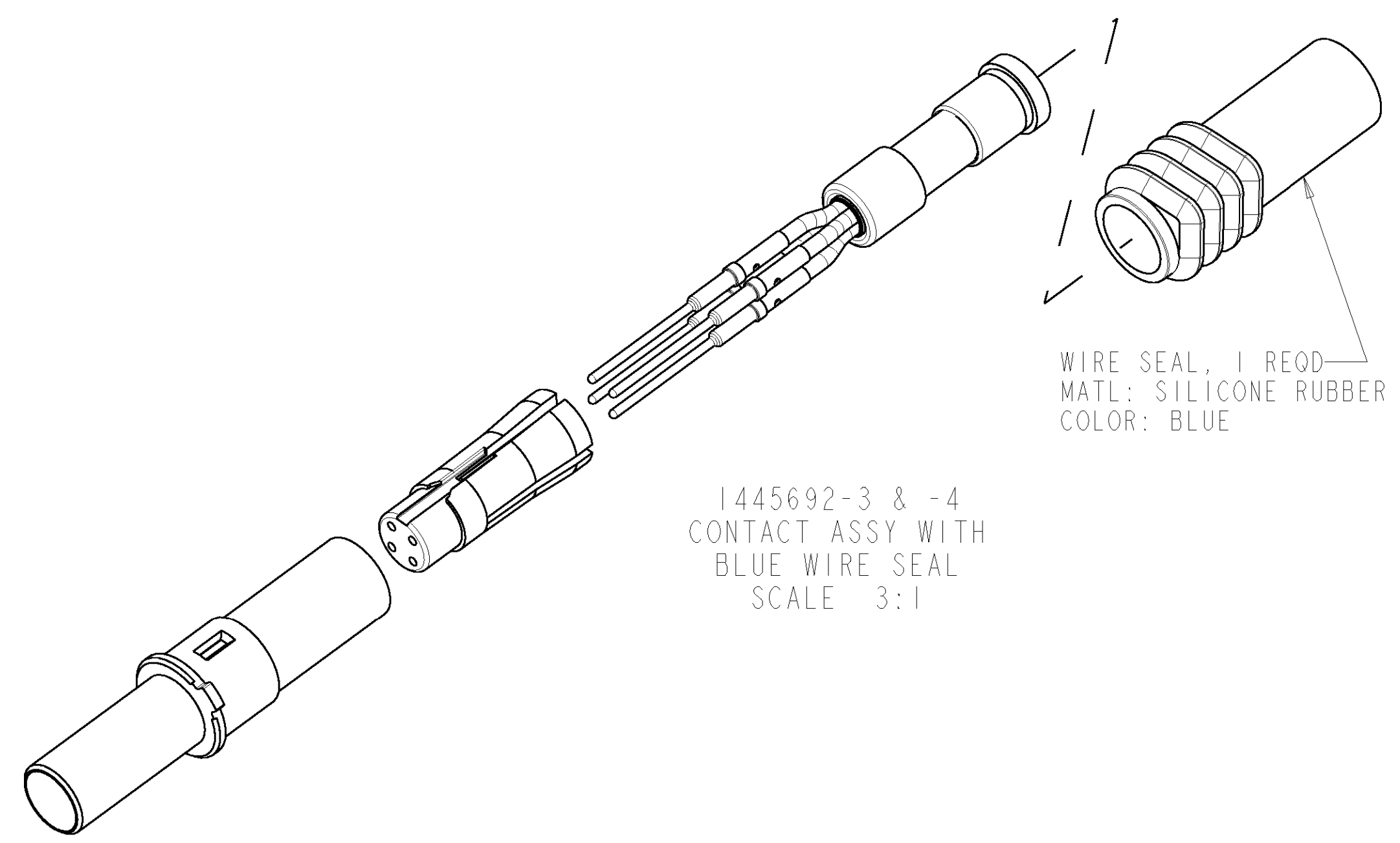
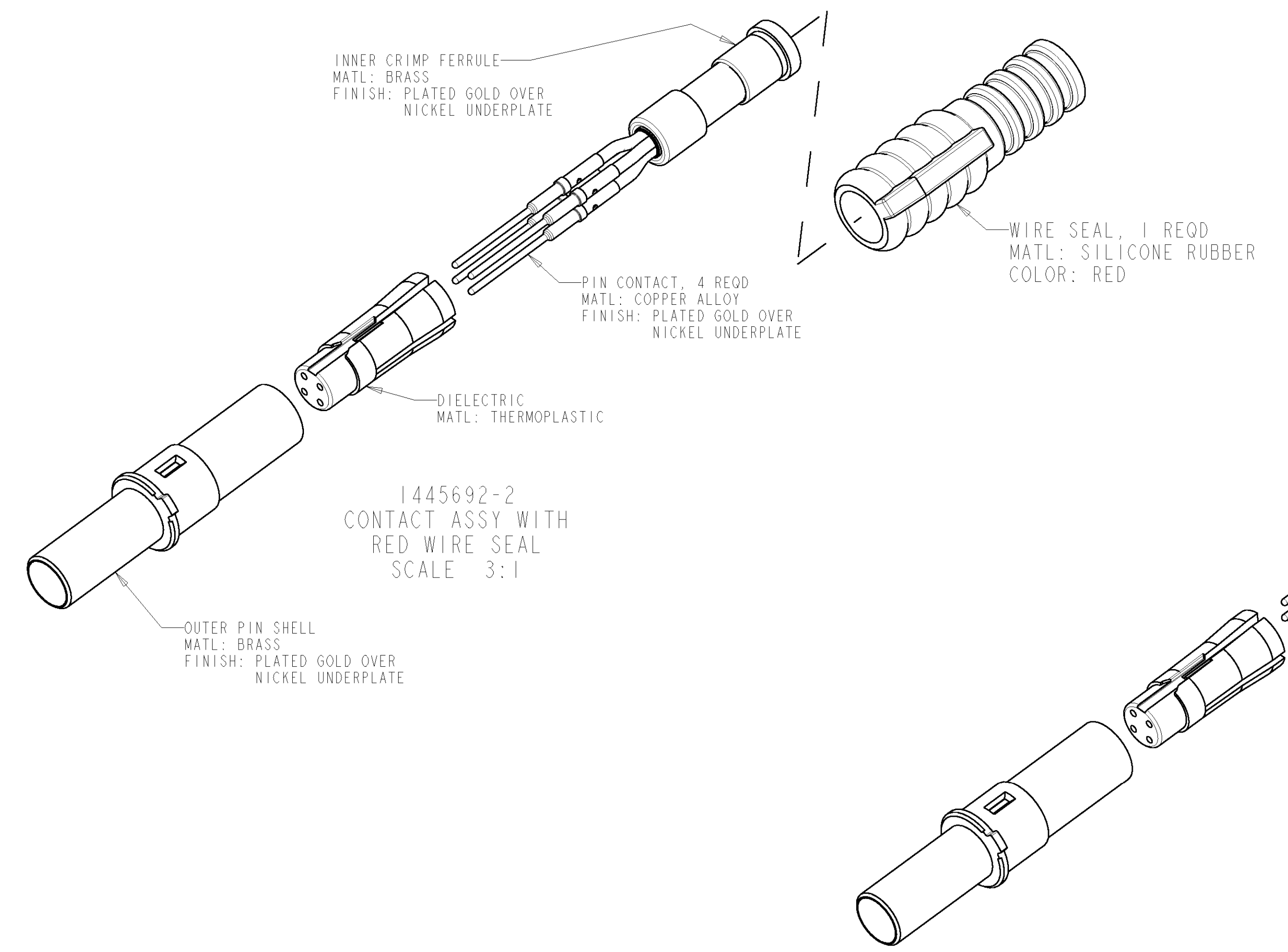
QUADRAx CABLE
 NOT INCLUDED; SHOWN
 FOR REFERENCE ONLY

- COMPONENTS ARE PACKAGED IN KIT FORM. CABLE MUST BE PURCHASED SEPARATELY.
 - ASSEMBLY PER APPLICATION SPECIFICATION 114-13123.
 - USE INSERTION-EXTRACTION TOOL 1738894-1.
- ⚠ TENSOLITE NF24Q100 OR EQUIVALENT
 - ⚠ DRAKA F4704-4 OR EQUIVALENT

RECOMMENDED CABLE	CUSTOMER PART NUMBER	SEAL COLOR	DESCRIPTION	PART NO.
⚠	-	-	AS SHOWN WITHOUT WIRE SEAL	1445692-6
⚠	-	BLUE	AS SHOWN WITH WIRE SEAL	1445692-5
⚠	BACC47GA1	BLUE	SAME AS -1 EXCEPT WITH WIRE SEAL	1445692-4
⚠	---	BLUE	SAME AS -1 EXCEPT WITH WIRE SEAL	1445692-3
⚠	---	RED	SAME AS -1 EXCEPT WITH WIRE SEAL	1445692-2
⚠	---	--	AS SHOWN; WITHOUT WIRE SEAL	1445692-1

DIMENSIONS: mm [INCH]		TOLERANCES UNLESS OTHERWISE SPECIFIED:		DRN: Brent D. 23JUNE2004	TE Connectivity
0 PLC ±.2 [.008] 1 PLC ±0.13 [.005] 3 PLC ±0.031 [.002] 4 PLC ±.		FINISH: ±.		DATE: 23JUNE2004 NAME: W.H. BERNHART PRODUCT SPEC: - APPLICATION SPEC: - WEIGHT: - CUSTOMER DRAWING: -	
MATERIAL: - FINISH: -				SIZE: A1 CAGE CODE: 00779 DRAWING NO: C=1445692	RESTRICTED TO: - SCALE: 1:1 SHEET: 1 OF 2 REV: H1

LOC		DIST		REVISIONS			
DF	A5	P	LTR	DESCRIPTION	DATE	DWN	APVD
-	-	-	-	SEE SHEET 1	-	-	-



QUADRAX PIN ASSY SHOWN INSTALLED IN
 STANDARD ARINC 600, SIZE 1 INSERT
 WITH REAR RELEASE, REAR REMOVABLE
 SIZE 8 QUADRAX CAVITY

DIMENSIONS: mm [INCH]		TOLERANCES UNLESS OTHERWISE SPECIFIED:		DWN Brent D. 23 JUNE 2004		EHW W.H. BERNHART 23 JUNE 2004		APVD W.H. BERNHART 23 JUNE 2004		NAME ASSEMBLY, PIN, QUADRAX, 2mm SO, AIRCRAFT DATA NETWORK, RR/RR, WITH PIN CONTACTS	
0 PLC	±	1 PLC	±0.2 [0.008]	PRODUCT SPEC	-	APPLICATION SPEC	-	SIZE	CAGE CODE	DRAWING NO	RESTRICTED TO
2 PLC	±	3 PLC	±0.13 [0.005]	WEIGHT	-	CUSTOMER DRAWING	-	A1	00779	1445692	-
3 PLC	±	4 PLC	±0.051 [0.002]	SCALE	1:1	SHEET	2	OF	2	REV	H1
FINISH	-	ANGLES	-								